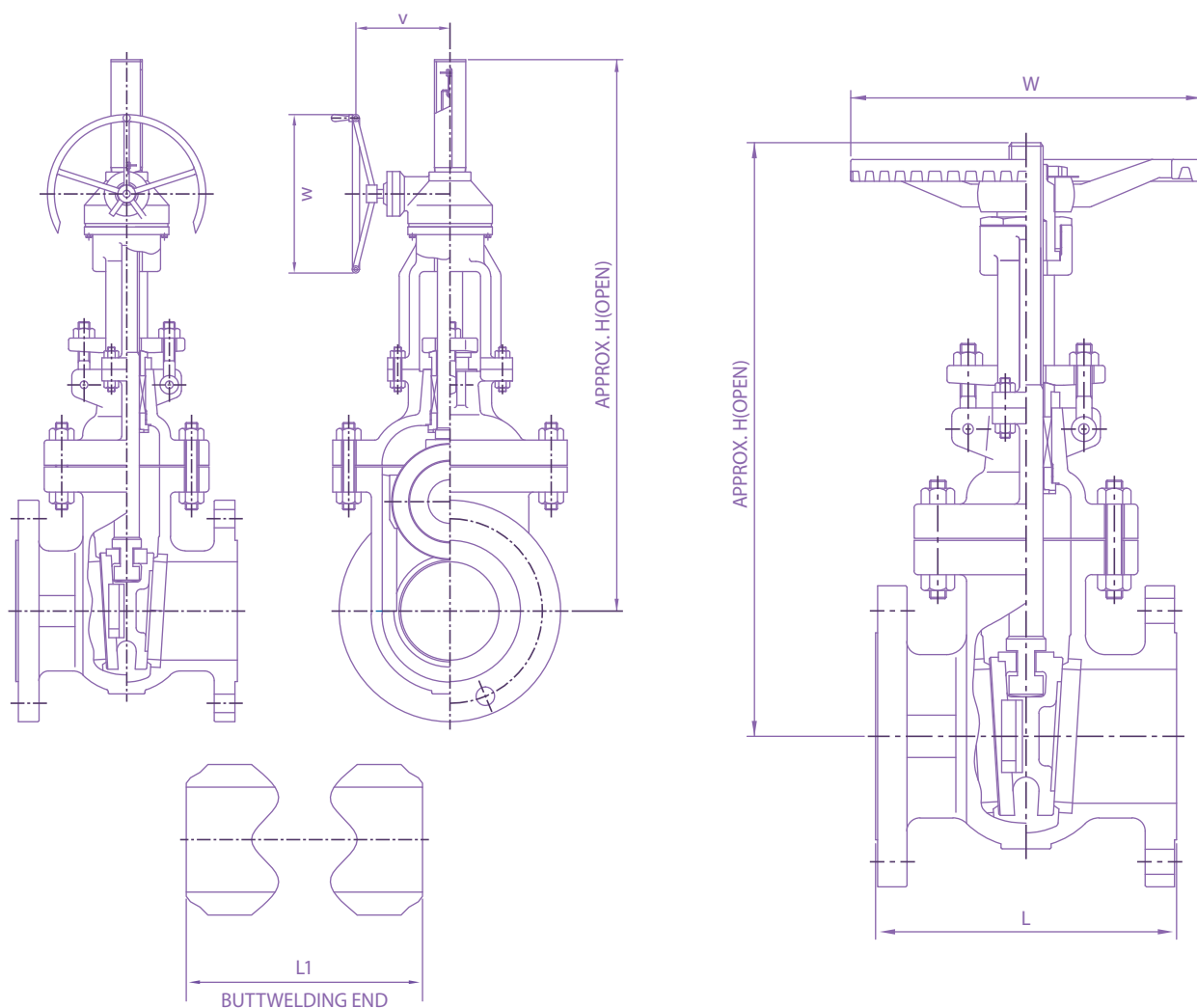


01

BOLTED BONNET

GT CLASS 150LB / KS 10K

MODEL NO : HKC-GT15 / HKC-GT1



CLASS 150LB / KS 10K

VALVE SIZE	inch	2	2½	3	4	5	6	8	10	12	14	16	18	20	24	28	30	36	40
	mm	50	65	80	100	125	150	200	250	300	350	400	450	500	600	700	750	900	1000
L	inch	7.0	7.5	8.0	9.0	10.0	10.5	11.5	13.0	14.0	15.0	16.0	17.0	18.0	20.0	24.0	24.0	28.0	30.0
	mm	178	191	203	229	254	267	292	330	356	381	406	432	457	508	610	610	711	762
L1	inch	8.5	9.5	11.12	12.0	15.0	15.88	46.5	18.0	19.75	22.5	24.0	26.0	28.0	32.0	36.0	36.0	40.4	42.0
	mm	216	241	283	305	381	403	419	457	502	572	610	660	711	813	914	914	1016	1067
H	inch	14.0	16.3	18.4	22.2	26.5	30.0	35.8	50.6	54.7	90.1	66.5	74.0	83.1	97.6	127.4	134.5	161.8	183.9
	mm	356	415	468	565	674	762	910	1285	1390	1500	1690	1880	2110	2480	3236	3417	4109	4670
W	inch	7.9	7.9	8.8	9.8	12.4	12.4	14.0	15.7	17.7	15.7	15.7	19.7	19.7	24.9	22.0	22.0	27.9	31.5
	mm	200	200	224	250	315	315	355	400	450	400	400	500	500	630	560	560	710	800
V	inch	-	-	-	-	-	-	-	-	-	7.4	7.4	7.9	7.9	8.7	16.3	16.3	18.4	20.7
	mm	-	-	-	-	-	-	-	-	-	189	189	201	201	222	414	414	468	526
WEIGHT	LB	44.1	55.1	66.2	97.0	132.3	154.4	233.7	368.2	526.9	760.7	1080.5	1274.5	1611.9	2280.0	3572.1	4057.2	7497.0	9481.5
	Kg	20	25	30	44	60	70	106	167	239	345	490	578	731	1043	1620	1840	3400	4300