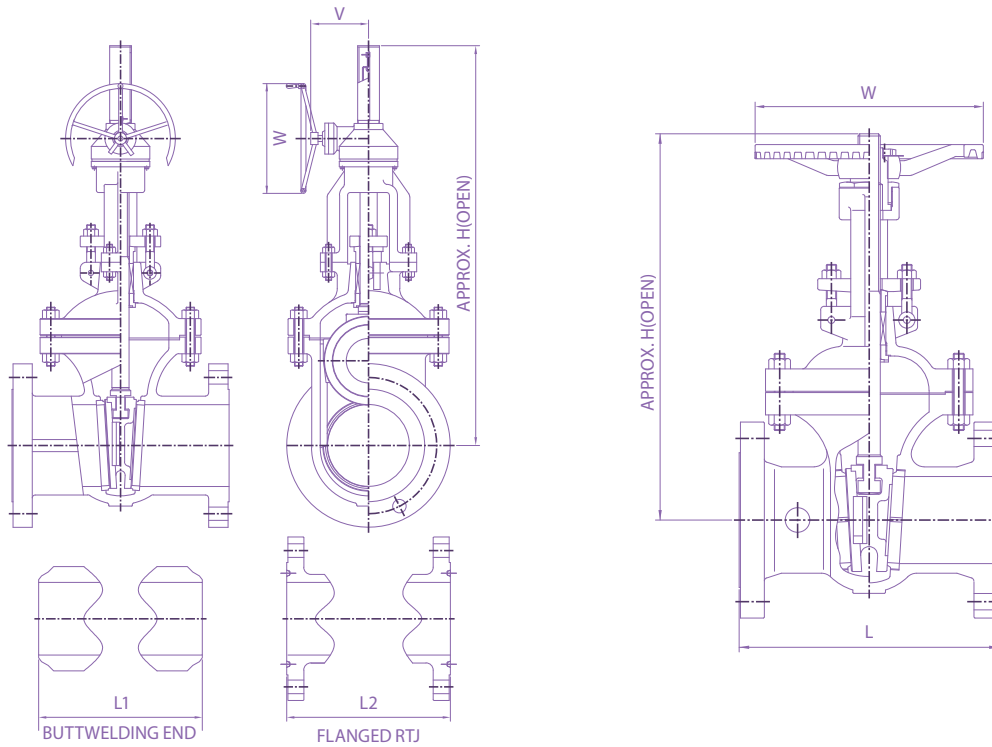


GT CLASS 1500LB / 2500LB

01 BOLTED BONNET

MODEL NO : HKC-GT150 / HKC-GT250



CLASS 1500LB

VALVE SIZE	inch	2	2½	3	4	5	6	8	10	12	14	16
	mm	50	65	80	100	125	150	200	250	300	350	400
L & L1	inch	14.5	16.5	18.5	21.5	26.5	27.75	32.75	39.0	44.5	49.5	54.5
	mm	368	419	470	546	673	705	832	991	1130	1257	1384
L2	inch	14.62	16.62	18.62	21.62	26.61	28.0	33.13	39.38	45.12	50.25	55.38
	mm	371	422	473	549	676	711	842	1000	1146	1276	1407
H	inch	21.2	26.4	29.1	30.8	43.62	47.0	60.8	66.5	82.3	85.1	97.9
	mm	539	670	738	783	1108	1196	1546	1688	2090	2167	2486
W	inch	11.8	11.8	15.7	19.7	24.8	13.8	22.0	27.9	27.9	30.0	30.0
	mm	300	300	400	500	630	350	560	710	710	760	760
V	inch	-	-	-	-	-	13.1	16.3	18.4	18.4	21.8	21.8
	mm	-	-	-	-	-	332	414	468	468	554	554
WEIGHT	LB	181	341.8	401	573	926.1	1360	3175	4412	8417	9073.6	15324.8
	Kg	82	155	182	260	420	617	1440	2001	3816	4115	6950

CLASS 2500LB

VALVE SIZE	inch	2	2½	3	4	6	8	10	12	
	mm	50	65	80	100	150	200	250	300	
L & L1	inch	17.8	20.0	22.8	26.5	36.0	40.2	50.0	56.0	
	mm	451	508	578	673	914	1022	1270	1422	
L2	inch	17.9	20.2	23.0	26.9	36.5	40.9	50.9	56.9	
	mm	454	514	584	683	927	1038	1292	1444	
H	inch	24.4	31.9	31.9	42.3	57.1	63.0	82.5	90.2	
	mm	619	809	809	1074	1451	1600	2096	2292	
W	inch	11.8	17.7	17.7	24.8	24.8	28.0	31.5	35.4	
	mm	300	450	450	630	630	710	800	900	
V	inch	-	-	-	-	15.3	16.0	18.1	20.8	
	mm	-	-	-	-	389	406	461	529	
WEIGHT	RF	LB	205.0	330.7	443.1	1336.0	3505.3	5379.3	10083.9	15829.2
		Kg	93	150	201	606	1590	2440	4574	7180
	BW	LB	127.9	220.5	288.8	1082.5	2866.0	4409.2	8377.6	13227.7
		Kg	58	100	131	491	1300	2000	3800	6000